

Lambda Freestanding

Design freestanding luminaire

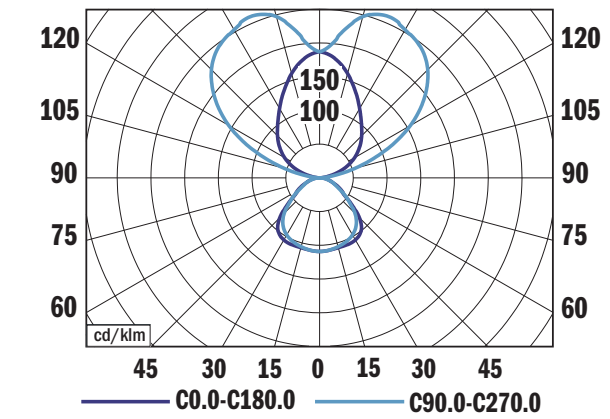
Product description

The Lambda Freestanding luminaire boasts a microprismatic diffuser, bathing your space in a blanket of soft, even light. Its innovative design prioritizes flexibility with added functions such as touch dimming and sensor, it adapts to ever-changing needs. The 70/30 uplight/downlight ratio perfectly balances task and ambient illumination, while user-friendly touch dimming grants intuitive control over brightness. Furthermore, it prioritizes comfort with its low UGR rating, minimizing glare for a pleasant visual experience. This versatile luminaire is ideal for modern office layouts, or any space demanding adjustable lighting.

Technical features:

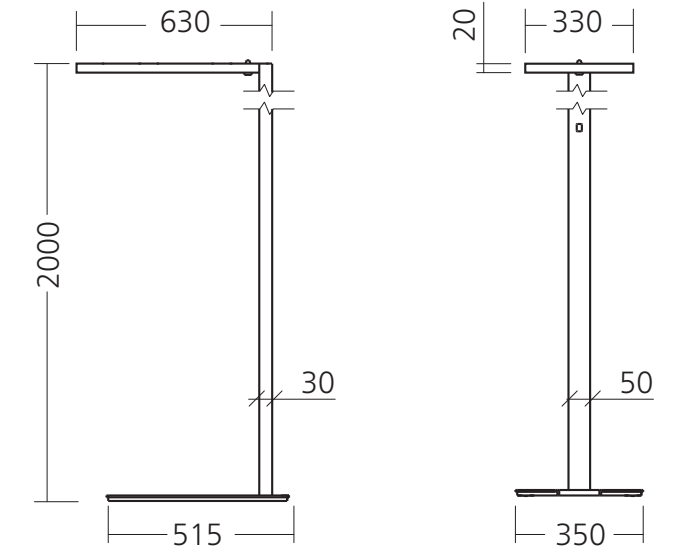
- Mounting: freestanding
- Optical system DIRECT: microprismatic diffuser
INDIRECT: transparent diffuser
- Light distribution: direct-indirect
- Housing: die-cast aluminium + sheet steel
- Diffuser: PMMA
- Chromacity: 3-step MacAdam
- Colour rendering index: min. 90
- Colour temperature: 4000K
- Electronic control gear: TOUCH DIM (ETD)
- Sensor: micro sensor with supports Bluetooth
- Service lifetime: 50,000 hours/L80/B10 (ta 25°C)
- Ambient temperature: Ta = -25°C...+35°C
- Degree of protection: IP40
- Dimensions: 630 x 330 x 2000 mm

Photometry

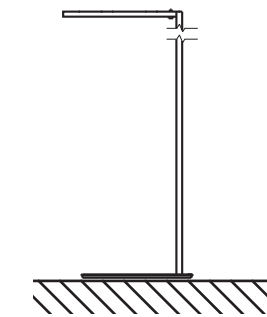


LAMBDA FREESTANDING, 14,400 lm 4000 K
LOR = 100%
lower flux fraction 70%
upper flux fraction 30%
UGR < 19

Dimensions



Mounting



TYPE	NET LUMEN OUTPUT (at Ta = 25 °C) (lm)	POWER CONSUMPTION (W)	SYSTEM EFFICACY (lm/W)	CRI	CCT (K)
LAMBDA FREESTANDING	14,400	105	137	90+	4000

