

Tempera IP66

Industrial-grade luminaire for demanding applications

Offered in three lengths:
M 1200mm
L 1500mm
XL 1800mm
this luminaire provides versatile lighting solutions to perfectly fit any space.

Housing is made from resistant polycarbonate.

Diffuser is made from opal polycarbonate.

Clips are made from inox steel.

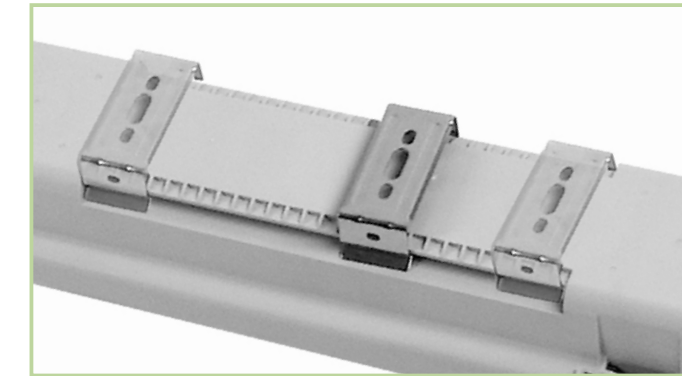
Service lifetime
50,000 hours/L80/B50

Wide range of temperature
-40°C to +55 °C

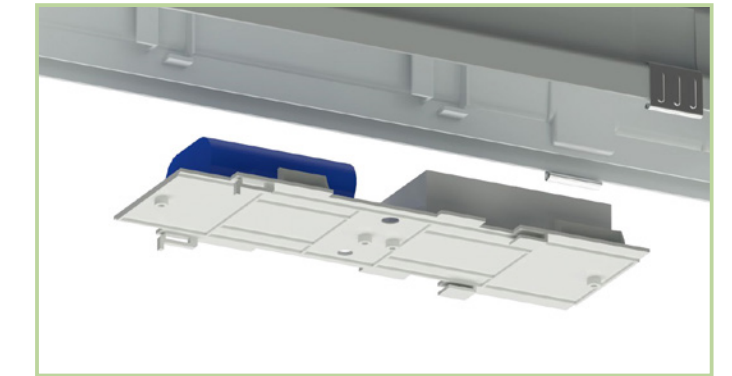
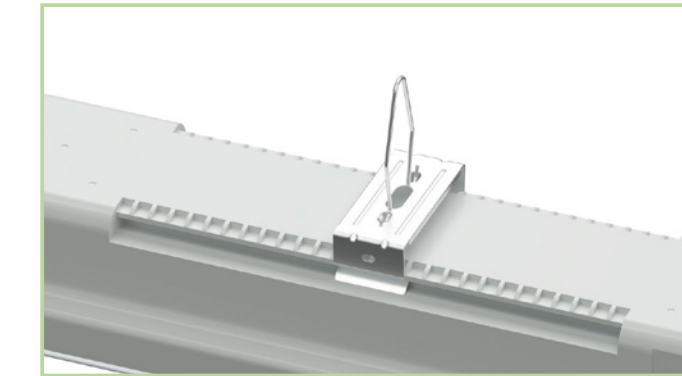
With an IP66 rating for dust and water resistance and an IK08 rating for impact resistance, this luminaire is the ideal choice for demanding environments.



The cable-mounted Wieland IP65 connector allows for swift power connection to the supply or between luminaires.



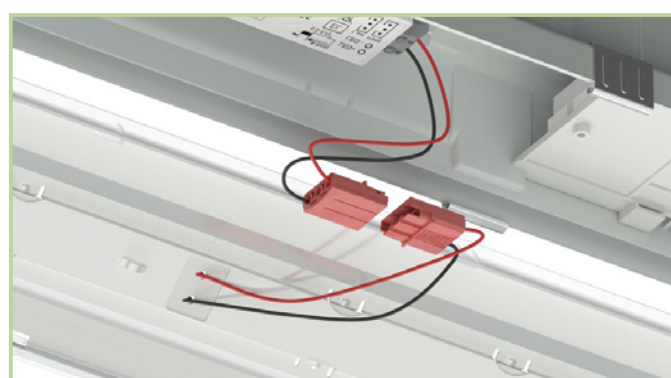
Surfaced or suspended mounting with flexible optional fixing points.



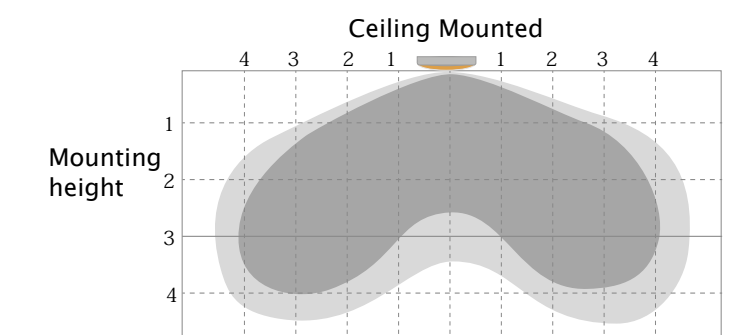
The luminaire can be an emergency backup unit built-in, providing light in case of a power outage.



New design protects the LEDs from disassembly-related damage, ensuring their continued reliability and simplified maintenance.



The version featuring through wiring simplifies installation and ensures a seamless connection between fixtures.



The available version with the integrated sensor, provides a more comprehensive solution offering additional benefits.

