

Lambda Freestanding

Design freestanding luminaire



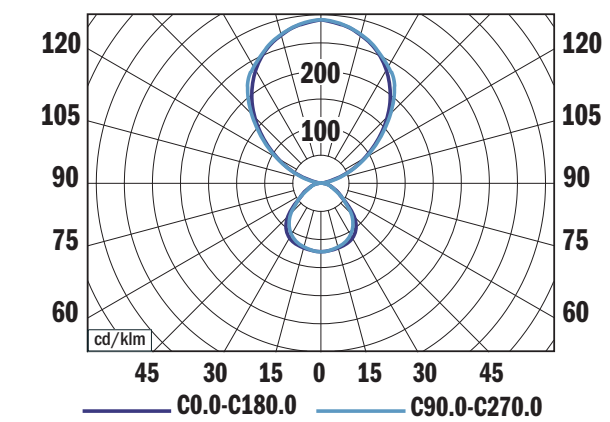
Product description

The Lambda Freestanding luminaire boasts a microprismatic diffuser, bathing your space in a blanket of soft, even light. Its innovative design prioritizes flexibility – equipped with wheels for effortless repositioning, it adapts to ever-changing needs. The 70/30 uplight/downlight ratio provides a perfect balance of task and ambient illumination, while user-friendly touch dimming grants intuitive control over brightness. Furthermore prioritizes comfort with its low UGR rating, minimizing glare for a pleasant visual experience. This versatile luminaire is ideal for modern office layouts, or any space demanding adjustable lighting.

Technical features:

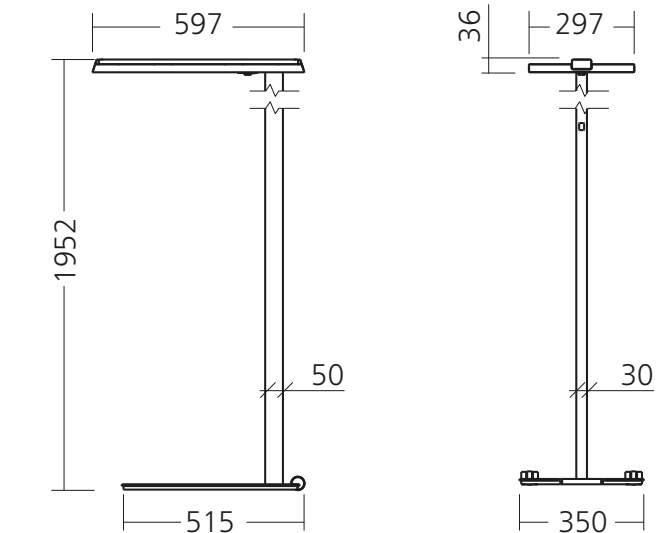
- Mounting: Freestanding
- Optical system DIRECT: microprismatic diffuser
INDIRECT: transparent diffuser
- Light distribution: direct-indirect
- Housing: die-cast aluminium + sheet steel
- Diffuser: PMMA
- Chromacity: 3-step MacAdam
- Colour rendering index: min. 80
- Colour temperature: 4000K, on request 3000K
- Electronic control gear: TOUCH DIM (ETD)
- Service lifetime: 100,000 hours/L80/B10 (ta 25°C)
- Ambient temperature: Ta = -25°C...+35°C
- Degree of protection: IP40
- Dimmensions: 597 x 350 x 1952 mm

Photometry

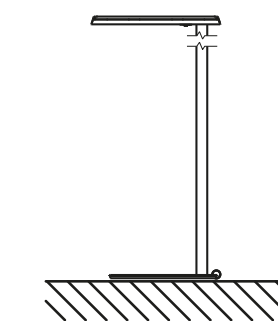


LAMBDA FREESTANDING, 7050 lm 4000 K
LOR = 100%
lower flux fraction 69%
upper flux fraction 31%
UGR < 16

Dimmensions



Mounting



TYPE	NET LUMEN OUTPUT (at Ta = 25 °C) (lm)	POWER CONSUMPTION (W)	SYSTEM EFFICACY (lm/W)	CRI	CCT (K)
LAMBDA FREESTANDING	7050	48	147	80+	4000

