

Comir

Resistant luminaire for tough condition

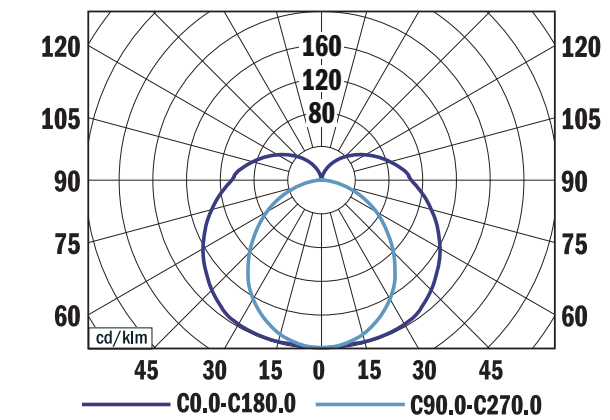
Product description

The tough and compact luminaire is for any challenge introducing Comir. Built to withstand the harshest environments, boasts an IP66 rating, safeguarding it against dust, and water. Its IK08 impact resistance ensures it can handle even accidental bumps and knocks. It is possible to connect several luminaires with through wiring versions. Its compact design makes it ideal for tight spaces, while its functional fixing clips allow for easy surface mounting. Need more flexibility? Simply add suspension triangles to transform it into a suspended luminaire.

Technical features:

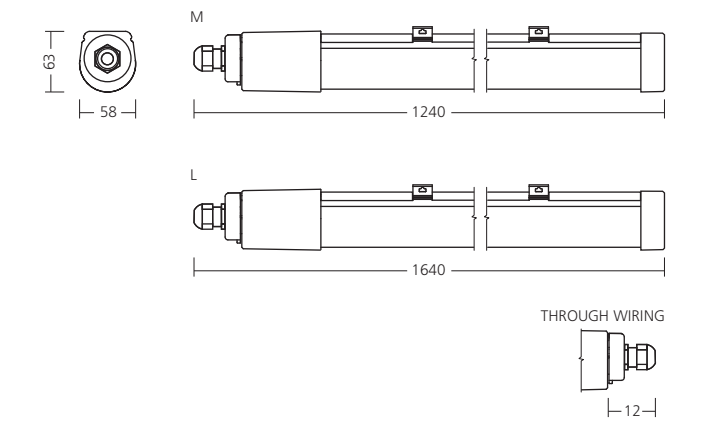
- Optical system: opal diffuser
- Housing and end caps: polycarbonate
- Diffuser: polycarbonate
- Accesories: rope suspension
- Chromacity: 4-step MacAdam
- Colour rendering index: min. 80
- Colour temperature: 4000K
- Electronic control gear: FIX (ECG), without or with through wiring
- Service lifetime: 50,000 hours/L70/B50 (ta 35°C)
- Ambient temperature: Ta = -20°C...+35°C
- Degree of protection: IP66, IK08
- Dimensions: M 1192 x 58 x 63 mm, L 1492 x 58 x 63 mm, length through wiring version +12 mm

Photometry

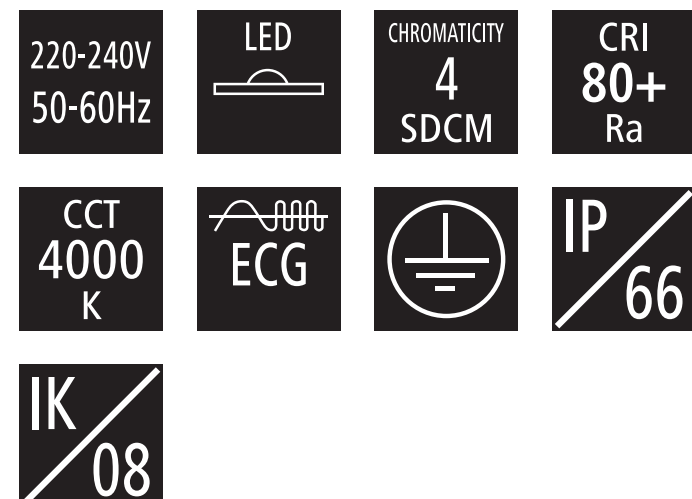
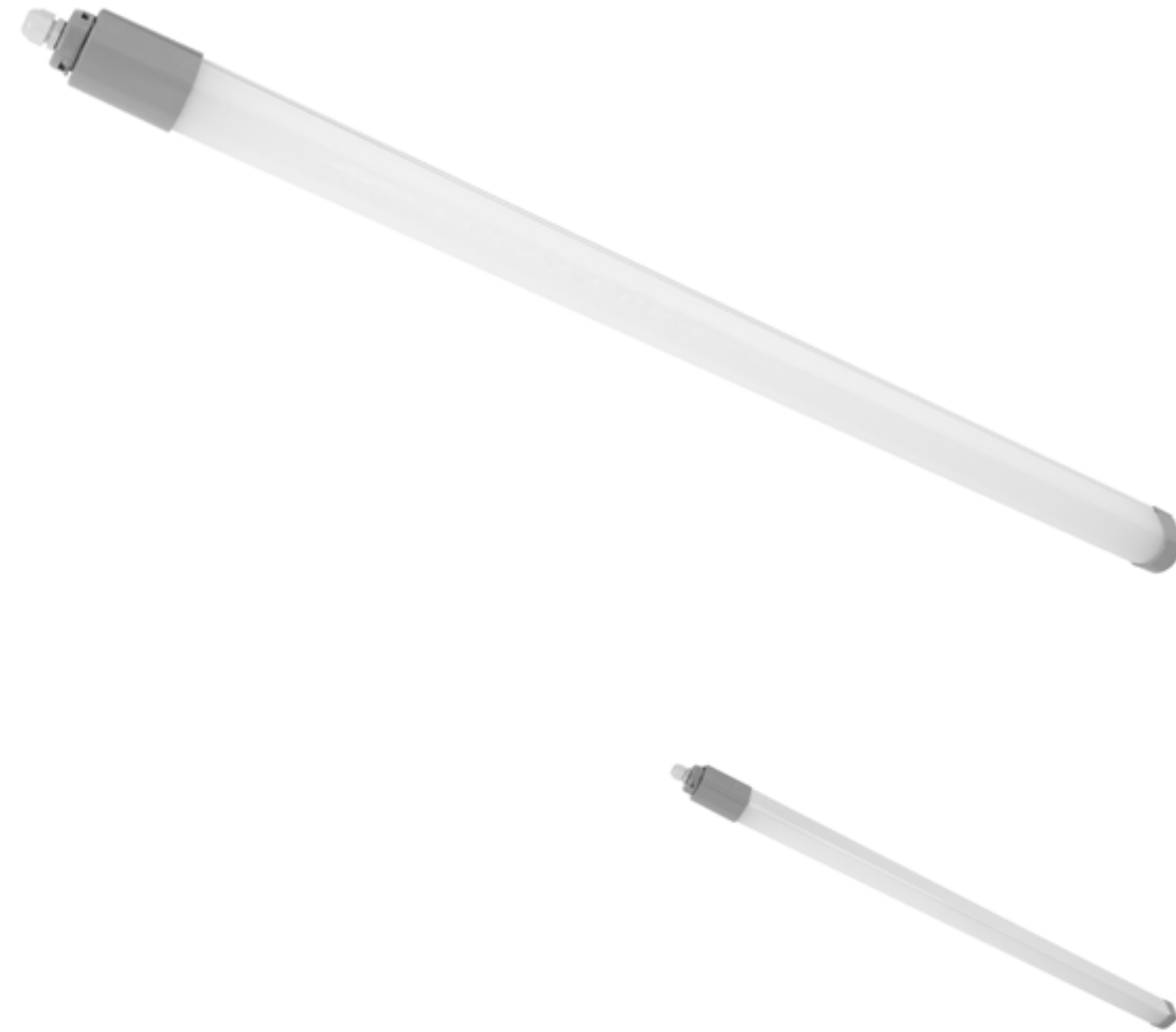
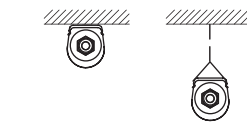


COMIR M, 3900 lm 4000 K
LOR = 100%
lower flux fraction 79%
upper flux fraction 21%
UGR < 28/ < 25

Dimensions



Mounting



TYPE	NET LUMEN OUTPUT (at Ta = 25 °C) (lm)	POWER CONSUMPTION (W)	SYSTEM EFFICACY (lm/W)	COLOUR RENDERING INDEX	CORRELATED COLOUR TEMPERATURE (K)	WEIGHT (kg)
COMIR M	3900	30	130	80+	4000	0.60
COMIR L	6100	47	130	80+	4000	0.72