

Baten

Indirect lighting luminaire



Product description

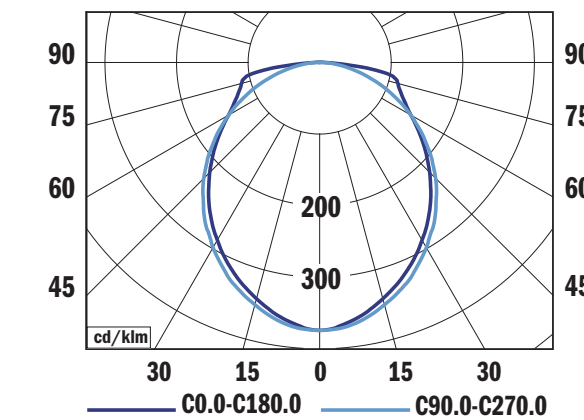
Introducing the Baten luminaire, featuring indirect lighting for a soft, ambient atmosphere. Equipped with DALI control for on-demand adjustments and an emergency unit for added peace of mind. Its simple design seamlessly integrates into any space.

Seamlessly integrates into T bar ceiling. For plasterboard ceilings mounting is possible with the frame accessory.

Technical features:

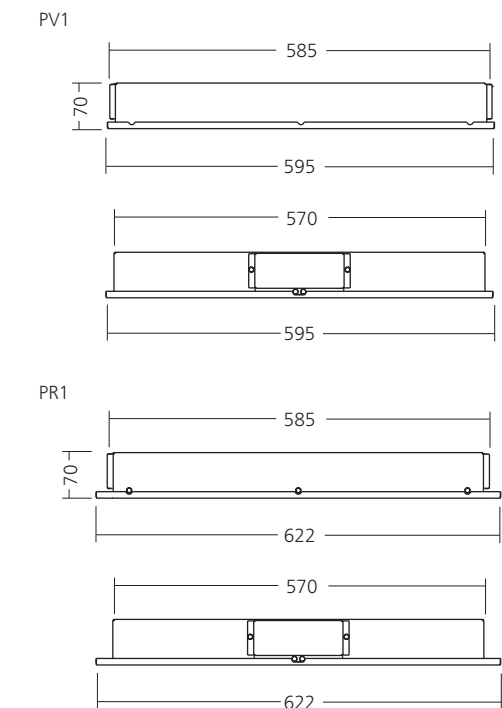
- Optical system: opal diffuser
- Housing: sheet steel
- Diffuser: PMMA
- Accesories: frame for plasterboard installation
- Chromacity: 3-step MacAdam
- Colour rendering index: min. 80
- Colour temperature: 3000K, 4000K
- Electronic control gear: FIX (ECG), DALI (EDA), on request Emergency unit variant
- Service lifetime: 100,000 hours/L90/B10 (ta 25°C)
- Ambient temperature: Ta = -25°C...+35°C
- Degree of protection: IP20, optical part IP40
- Dimmensions: PV1 595 x 595 x 70 mm, PR1 622 x 622 x 70 mm

Photometry



BATEN PV1, 3300 lm 4000 K
LOR = 100%
lower flux fraction 100%
upper flux fraction 0%
UGR < 22 / < 25

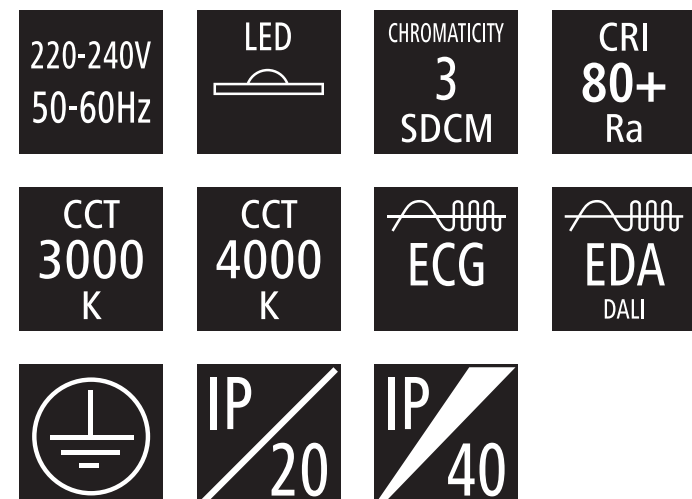
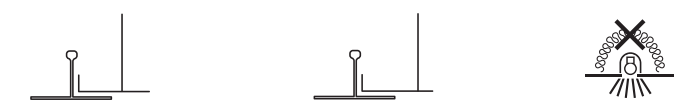
Dimmensions



Mounting

PV ceiling
(600 x 600)

PR ceiling
(625 x 625)



frame for plasterboard installation



TYPE	NET LUMEN OUTPUT (at Ta = 25 °C) (lm)	POWER CONSUMPTION (W)	SYSTEM EFFICACY (lm/W)	COLOUR RENDERING INDEX	CORRELATED COLOUR TEMPERATURE (K)	BEAM ANGLE	WEIGHT (kg)
BATEN	3200	32	100	80+	3000	105°	4.7
BATEN	3300	32	103	80+	4000	105°	4.7