

ALAMOON SI

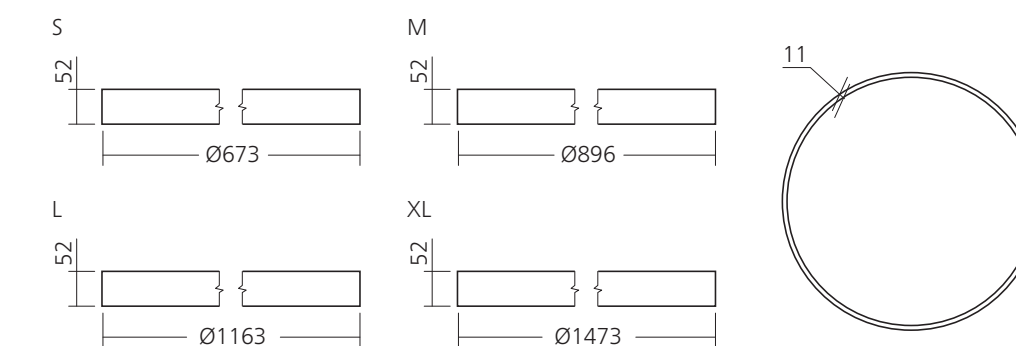
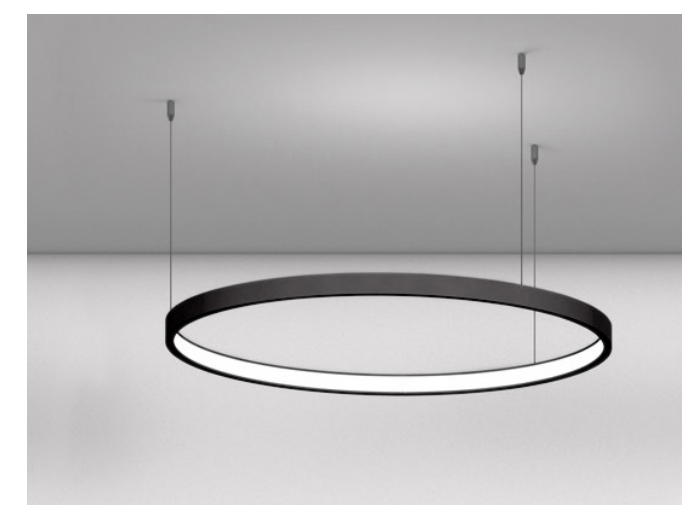
The ALAMOON luminaire is a marvel of modern design and function. Its sleek profile, crafted from the ultra-thin aluminum profile, offers a minimalist aesthetic perfect for contemporary spaces.

The ALAMOON SI luminaire casting a glow inwards from the circular frame.

Offered in four sizes, ranging from a compact 700mm to a grand 1500mm, the ALAMOON caters to various settings. This unique solution transcends the limitations of traditional lighting, providing both exceptional style and unmatched adaptability.



- Net Lumen Output (at Ta=25°C) 1650 lm, 1750 lm, 2300 lm, 2450 lm, 2350 lm, 2500 lm, 3200 lm, 3400 lm, 4150 lm, 4400 lm, 4900 lm, 5200 lm, 6450 lm, 6900 lm
- Power Consumption 20 W, 25 W, 35 W, 40 W, 50 W, 70 W
- System Efficacy 83-110 lm/W
- Chromacity 3-step MacAdam
- Colour rendering index > 80
- Colour temperature 3000 K, 4000 K
- Wiring FIX, DALI
- Optical System Opal diffuser
- Materials Housing: aluminium
Diffuser: PMMA
- Surface Finish Black
- Service Lifetime (Ta 25°C) 60,000 hours/L80/B10
- Ambient Operating Temp. From -25 °C to +35 °C



220-240V 50-60Hz	LED	CHROMATICITY 3 SDCM	CRI 80+ Ra	CCT 3000 K	CCT 4000 K	ECG	EDA DALI	IP 40
---------------------	-----	---------------------------	------------------	------------------	------------------	-----	-------------	----------