

# Miline Slim Trax

Design trax luminaire with multiple beam angles



## Product description

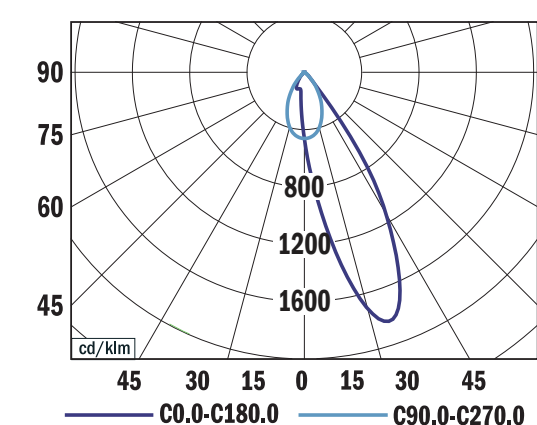
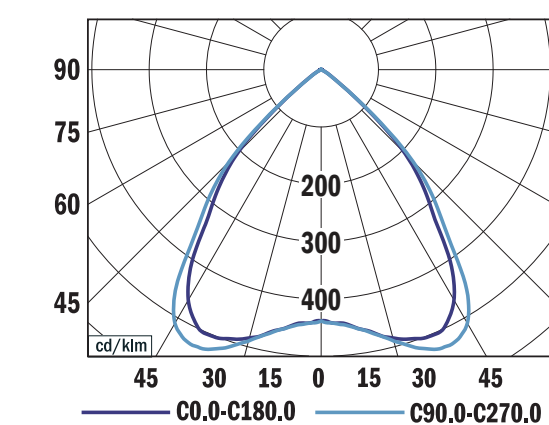
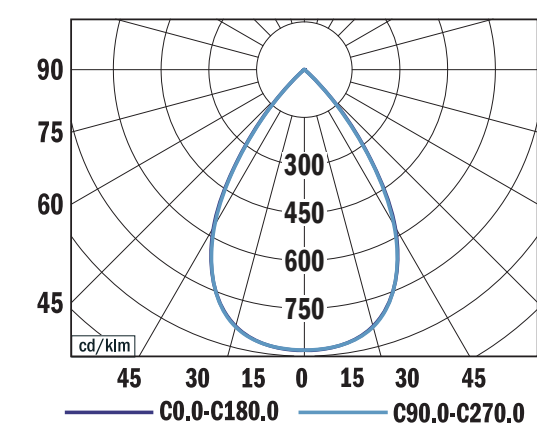
Discreetly illuminate your space with our versatile trax luminaire. Choose from 3 beam angles to focus your space, and customize glare control with 2 louver (white or black) options. Seamless integration and long-lasting performance make it perfect for any downlighting need.

The optional DALI control empowers users to personalize their lighting preferences, fostering a productive and adaptable work environment.

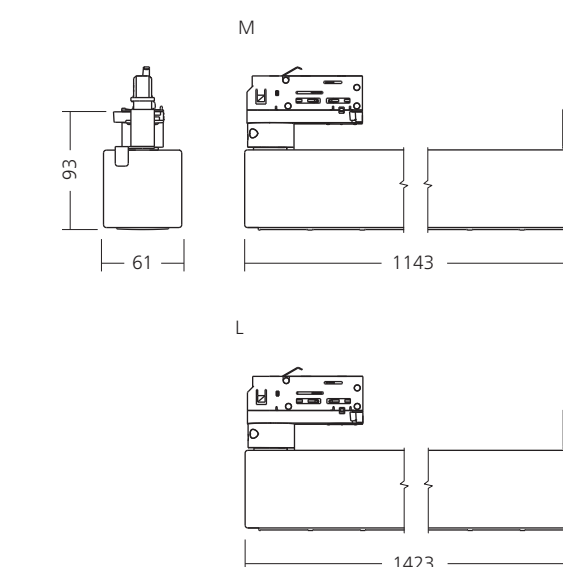
## Technical features:

- Optical system: lenses + white louver (LWL), on request black louver (LBL)
- Beam angle: 90°, on request 65° or asymmetric
- Housing: sheet steel
- Lenses: PMMA
- Louver: polycarbonate
- Accessories: various types of connections and suspension equipment
- Chromacity: 3-step MacAdam
- Colour rendering index: min. 80
- Colour temperature: 3000K, 4000K
- Electronic control gear: FIX (ECG), DALI (EDA)
- Service lifetime: 100,000 hours/L80/B10 (ta 25°C)
- Ambient temperature: Ta = -25°C...+35°C
- Degree of protection: IP20
- Dimensions: M 1143 x 61 x 93 mm, L 1423 x 61 x 93 mm

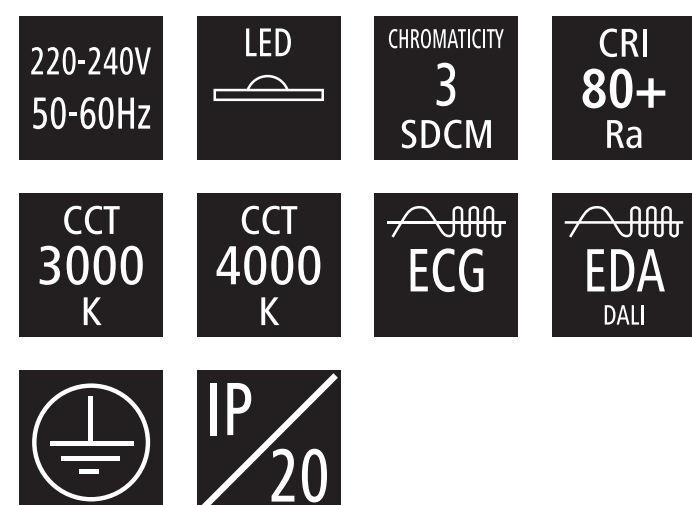
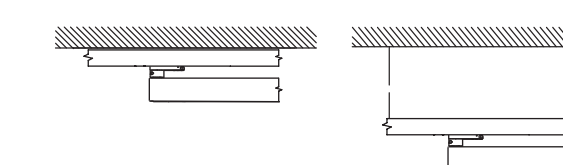
## Photometry



## Dimensions



## Mounting



## white louver (LWL)



## black louver (LBL)



TYPE	NET LUMEN OUTPUT (at Ta = 25 °C) (lm)	POWER CONSUMPTION (W)	SYSTEM EFFICACY (lm/W)	COLOUR RENDERING INDEX	CORRELATED COLOUR TEMPERATURE (K)	WEIGHT (kg)
MILINE SLIM TRAX M	3250	22	148	80+	3000	2.6
MILINE SLIM TRAX M	3400	22	155	80+	4000	2.6
MILINE SLIM TRAX M	4550	30	152	80+	3000	2.6
MILINE SLIM TRAX M	4800	30	160	80+	4000	2.6
MILINE SLIM TRAX L	4050	26	156	80+	3000	3.2
MILINE SLIM TRAX L	4300	26	165	80+	4000	3.2
MILINE SLIM TRAX L	5650	37	152	80+	3000	3.2
MILINE SLIM TRAX L	6000	37	162	80+	4000	3.2